

2011 MERIT

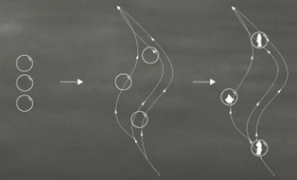
Stephanie Huss

LYCEUM

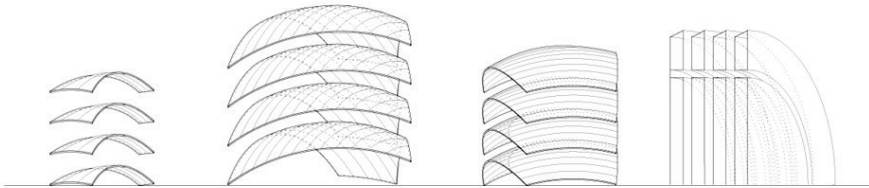
*A traveling fellowship in Architecture*



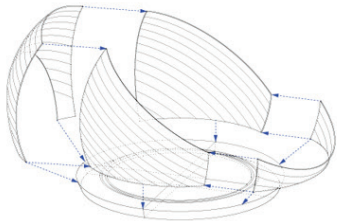
DRIFT



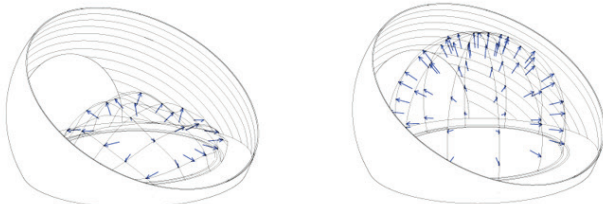
site assembly strategy



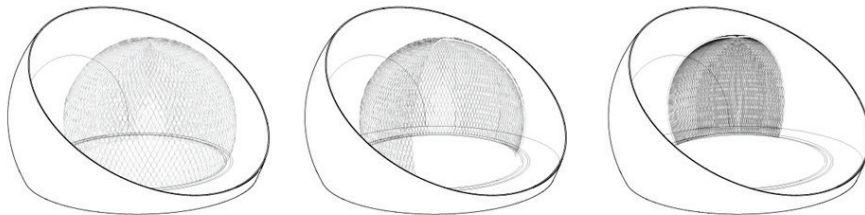
transportation of stackable fibre reinforced polycarbonate components to site



assembly of components on site



inflation of pneumatic structure



expandable honeycomb shading device

expandable honeycomb shading device,  
spun polyethylene fibre

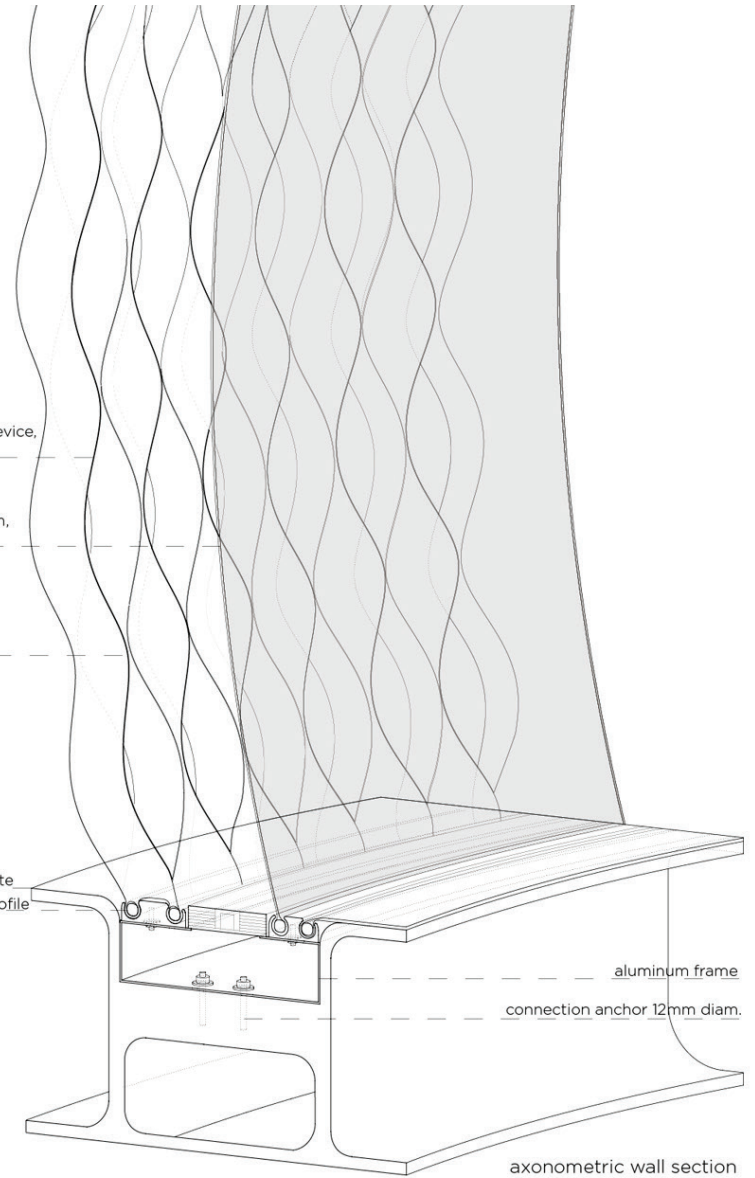
PTFE fabric with laminated fluofilm,  
94% translucence

thermo-fused membrane joint

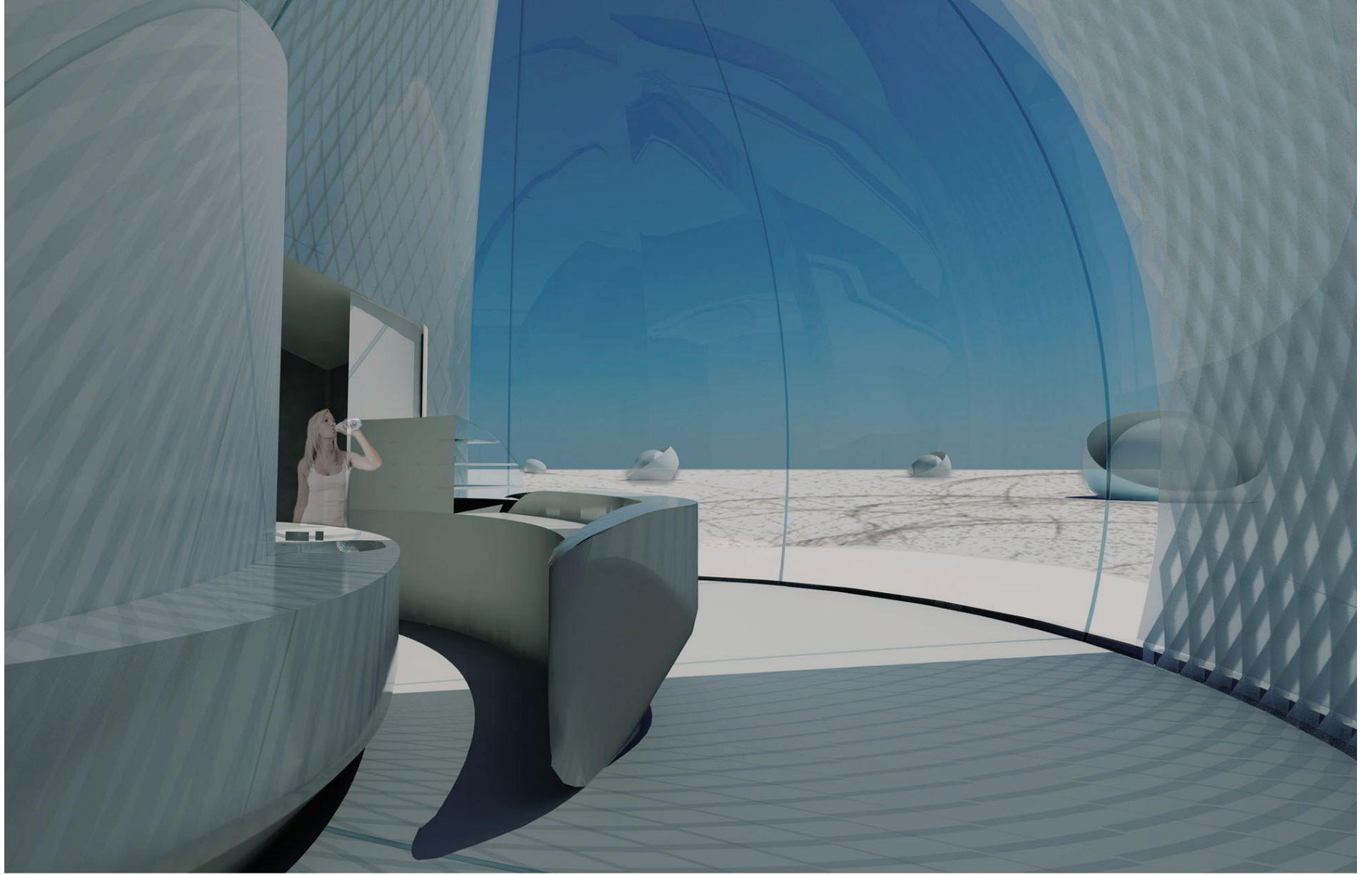
fibre reinforced polycarbonate  
aluminum profile

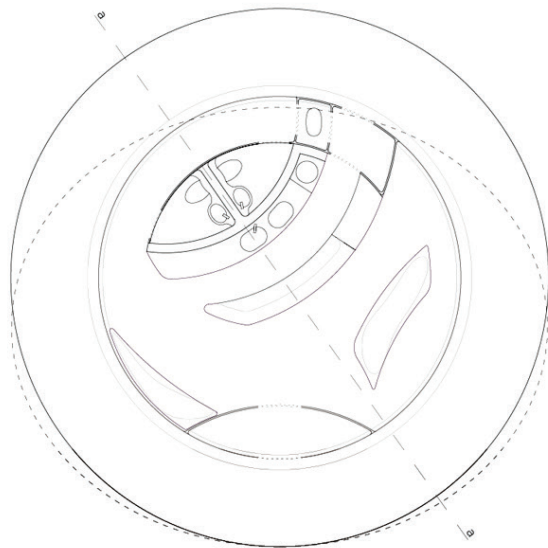
aluminum frame

connection anchor 12mm diam.

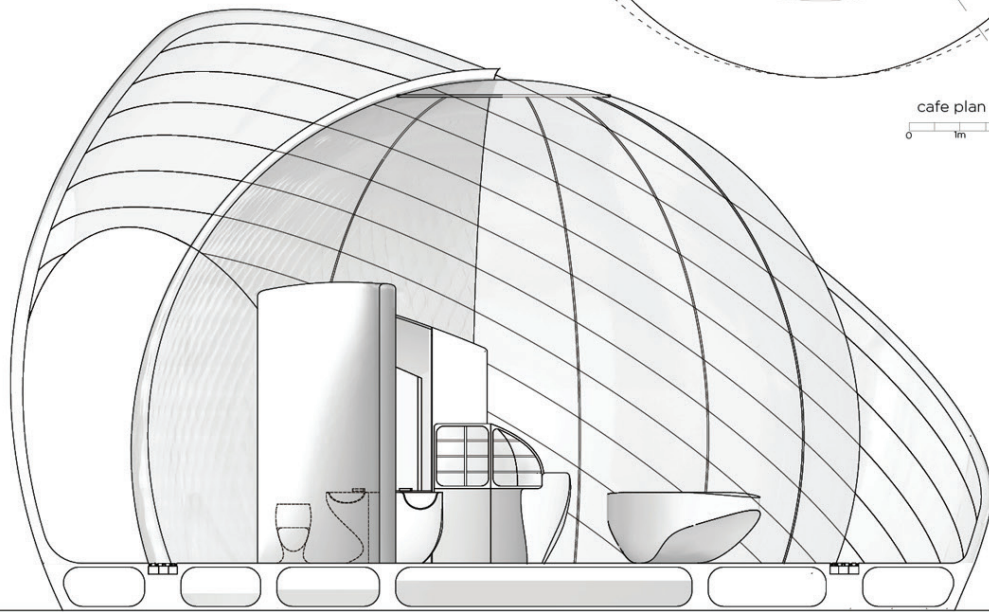


axonometric wall section



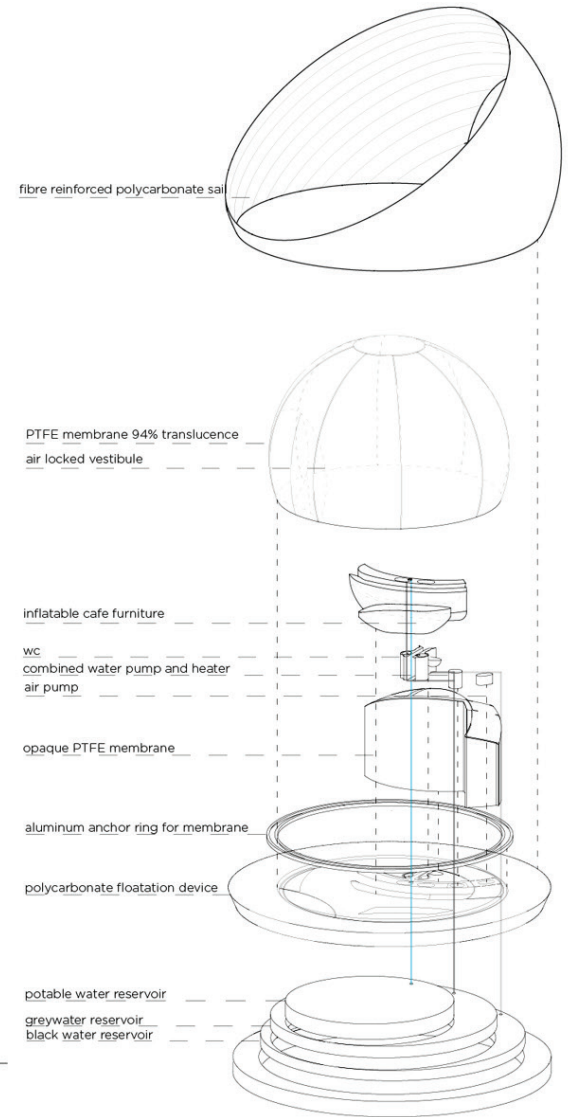


cafe plan  
0 1m 2

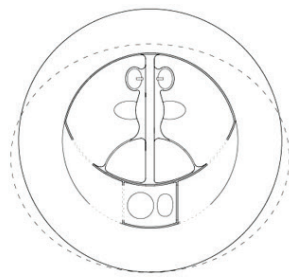
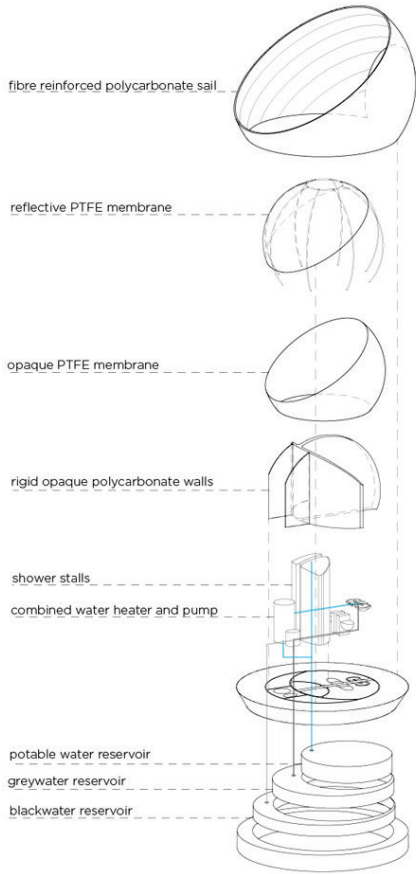


0 1m 2

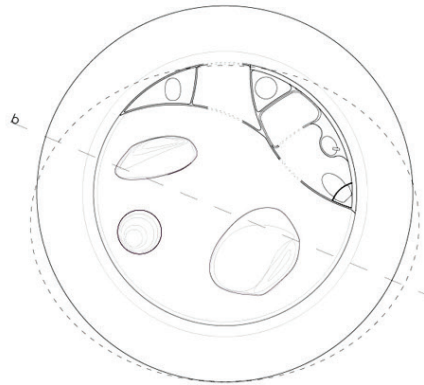
section a-a showing central service counter



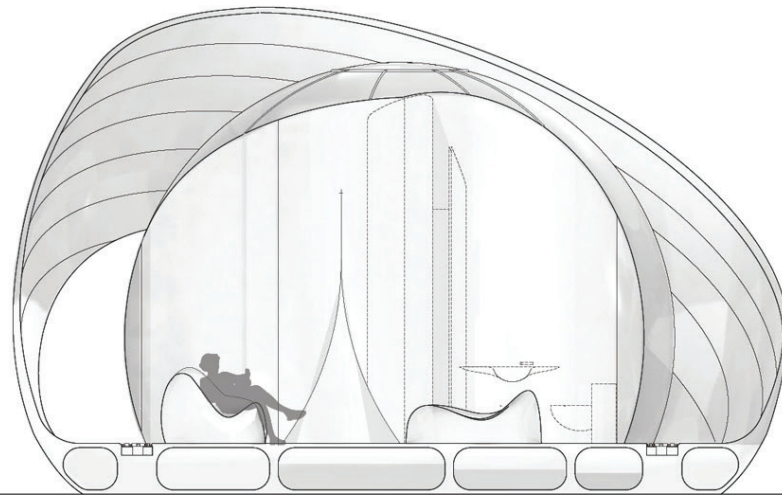
exploded axonometric showing shower unit



shower and WC plan



room plan



section b-b through lodging unit

exploded axonometric showing lodging unit

